

VIPERSORT

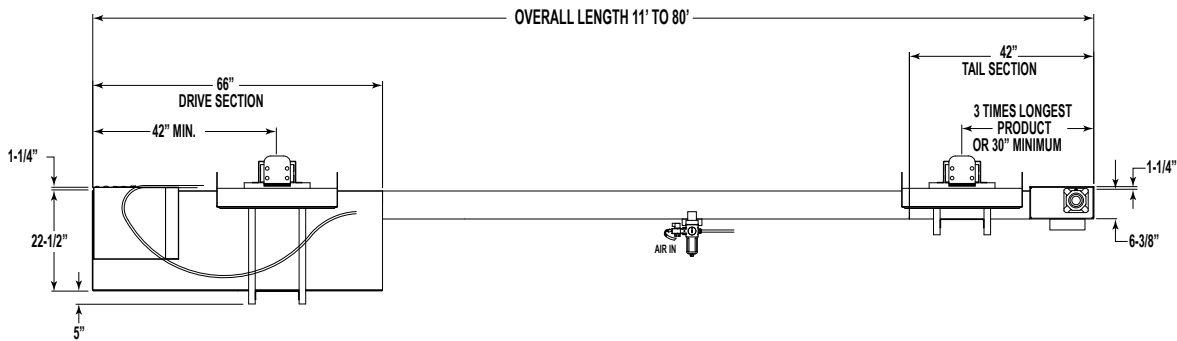
The Model ViperSort is a right angle sortation conveyor used to sort small to medium size products. The ViperSort utilizes a patented design which enables the sorting of cylindrical products, extremely thin items such as blister packs, vinyl envelopes and other problematic items.

Right Angle Sortation Conveyor

- 4 Widths Available
- Sorts Up To 120 Items Per Minute
- Blue Acetal Open Grid 1" Pitch Cleated Plastic Belt
- Flexible Sort Locations
- Adjustable MS-Type Floor Supports Available
- Close Divert Centers



ViperSort with Gravity Cantenary (Lengths of 11' to 80', 6" Increments)



ViperSort with Pneumatic Take-Up (Lengths over 80', 6" Increments)

